



WALL IRONERS

Ø 250 MM

R2D25/140 - 200 GOLD

Wall ironers specially designed for greater productivity: equipped with steam extraction in the cylinder, speed control thanks to an inverter, better heating management and three modes of use thanks to the new BM electronic control with an auto mode to maintain optimum productivity.



BM ELECTRONIC PROGRAMMER

Simple and user friendly with an auto mode: automatic management of the ironing speed according to the selected temperature.
Digital speed and temperature display.



FEATURES

Large roll contact area with the linen
Mode of operation identical to a flatwork ironer: no roll lifting, more ergonomic.
Models equipped with Nomex belts, suction and variable speed inverter: more productivity.
Adjustable speed and temperature.



ROBUSTNESS

Nomex coating: resistant to high temperatures
Panels in grey skinplate and stainless steel
Wooden feeding table
New kinematics: better reliability
Industrial roll axle and bearings: more durable



EFFICIENCY

Acoustic comfort : 60 dB max
Minimum space requirement: space saving, suitable for small spaces
Ideal for processing small quantity of flat linen in facilities like restaurants, guest rooms, hostels...



MAINTENANCE

Easy installation : requires only an electrical connection
Easy access on both sides for maintenance
Quick and easy dismantling of bearings



OTHERS

Front feeding and return
Roll ø 250 mm
Working widths: 1.400 and 2.000 mm
Electric heating
CE certification



OPTIONS

- Marine voltage 440V III 60 Hz without N
- 230V III+T 50-60 Hz



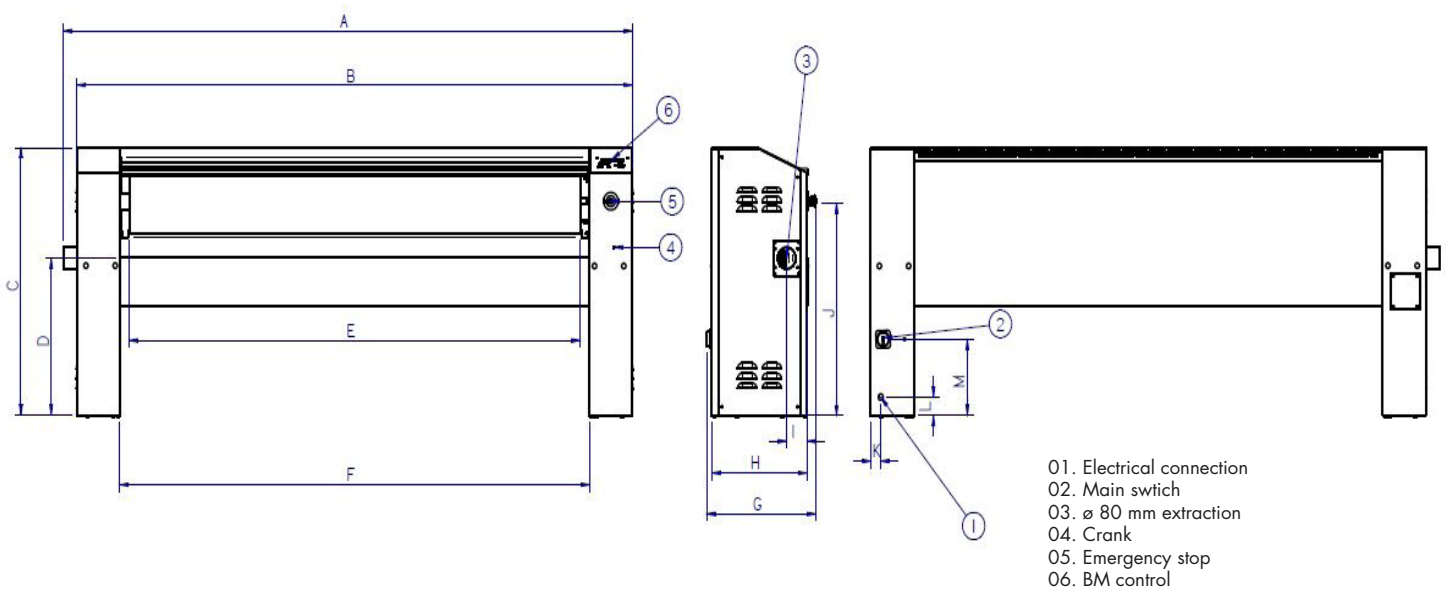
Intertek



Intertek

TECHNICAL DATA	UNIT.	R2D25/140 GOLD	R2D25/200 GOLD
GENERAL DATA			
Theoretical production*	Kg/h	40	50
Ø Roll	mm	250	250
Working width	mm	1.400	2.000
Ironing speed	m/min	1,5 - 6	1,5 - 6
Electronic programmer		BM	BM
Bed lifting		-	-
POWER			
Heating power	kW	7	12
Roll motor power	kW	0,18	0,18
Fan motor power	kW	0,12	0,12
Total electric power	kW	7,3	12,3
CONNEXIONS		ELECTRIC	ELECTRIC
Tension 230V - III + T	N°x mm²/A	4 x 6 /20A	4 x 10 /40A
Tension 400V - III + N + T	N°x mm²/A	5 x 4 / 16A	5 x 4 / 20A
DIMENSIONS / PACKING DIMENSIONS			
Net width / Gross width**	mm	1.922 / 1.890	2.522 / 2.490
Net depth / Gross depth	mm	484	484
Net height / Gross height	mm	985	985
Net weight / Gross weight	kg	154 / 174	184 / 204
Volume	m3	0,92 / 1,15	1,20 / 1,52
OTHERS			
No of fume outlet	No	1	1
ø extraction	mm	80	80
Air flow	m3/h	500	500
Sound level	dB	60	60

*20- 25 % residual moisture
**Suction disassembly on the left side



	A	B	C	D	E	F	G	H	I	J	K	L	M
R2D25/140 GOLD	1.922	1.862	985	610	1.400	1.480	484	423	91	791	45	75	287
R2D25/200 GOLD	2.522	2.462	985	610	2.000	2.080	484	423	91	791	45	75	287