

PROFESSIONAL HIGH SPIN WASHERS

PROFESSIONAL HIGH SPIN WASHERS

INDEX

- 1.- Product Range - Overview
- 2.- Classification
- 3.- Main Features
- 4.- Accessories and Options
- 5.- Technical data
- 6.- Sales Arguments and marketing tools

1. PRODUCT RANGE - OVERVIEW

| HIGH – G FORCE 450 | | | | |
|---|---------------------|-------------|------------|-------------|
| CONTROL TYPE | HEATING | DRAIN TYPE | CAPACITY | |
| | | | 8 – 9 Kg | 10 – 11 Kg |
| Easy Touch 2 microprocessor | Electric, hot water | Drain Valve | WPR-8V ET2 | WPR-10V ET2 |
| | | Pump | WPR-8P ET2 | WPR-10P ET2 |
| Easy Touch 2 microprocessor Self-service | Electric, hot water | Drain Valve | WPR-8V ET2 | WPR-10V ET2 |
| | | Pump | WPR-8P ET2 | WPR-10P ET2 |



WPR-8 ET2



WPR-8 ET2 SELF

1. PRODUCT RANGE - OVERVIEW

HIGH SPIN PROFESSIONAL RANGE :

- **Soft mounted washers** – free standing
- **High G force : 450**
- 1250 RPM

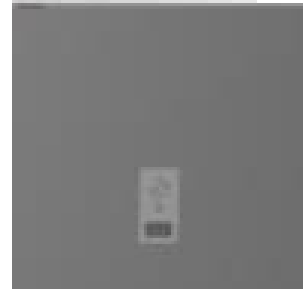
ADVANTAGES

- ✓ Easy to install, no need of anchoring to the floor, no extra costs
- ✓ **Savings** due to high extraction of water (40 to 45 % residual humidity)



ONE WASHER - 2 POSSIBLE USES

ON PREMISE LAUNDRY



SELF-SERVICE LAUNDRY



2. CLASSIFICATION

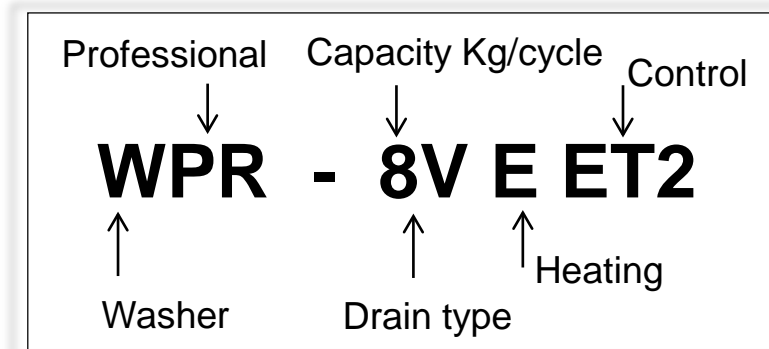
2.1 HEATING :

- **Electric (E)** – Heating elements.
- **Hot water (HW)** – Hot water inlet, reduced operating cost if hot water is available.

Capacity: 8 and 10 kg

Self-service: Tokens, coins and central pay for both kind of heating (E and HW)

Control: **New** EASY TOUCH 2 microprocessor (OPL and COIN)



3. MAIN FEATURES

3.1. – **NEW** EASY TOUCH 2 MICROPROCESSOR

- Touch Screen 4,3”.
- Programmer: **37 available languages**.
- **USB port** for washer’s software updates and other applications.
- **Same EASY TOUCH 2 control** for **OPL** washers and **coin** washers.
- 29 preset programs.



3. MAIN FEATURES

3.2. – VIDEOS SHOWN ON DISPLAY

- Ads and instructions shown on display.
- Useful for coin laundry businesses



3. MAIN FEATURES

3.3.A- OPTIMAL LOADING (standard)

Automatic adjustment of water and soap consumptions as well as energy savings, according to the load indicated manually in the washer by the operator.

3.2. B- INTELLIGENT LOADING (standard)

Automatic adjustment of water and soap consumptions as well as energy savings, according to the load introduced and automatically measured by the washer.

ADVANTAGES

- ✓ Energy savings
- ✓ Water savings
- ✓ Chemical savings



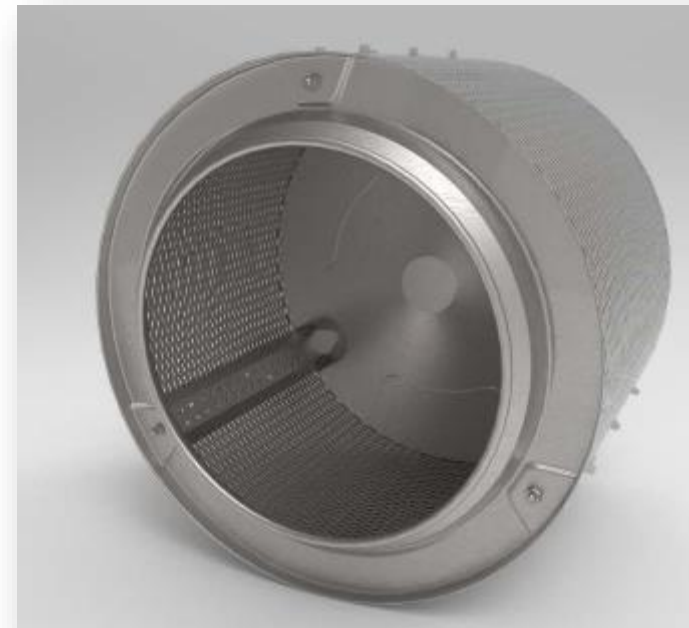
3. MAIN FEATURES

3.4. – AISI 304 STAINLESS STEEL

Outer and inner drum (ribs included) made in AISI 304 stainless steel

ADVANTAGES

- ✓ Increased resistance to external agents
- ✓ Avoids corrosion problems
- ✓ Lengthening the washer lifetime
- ✓ Better quality



3. MAIN FEATURES

3.5. – ROBUST BIG DOOR MADE IN ALUMINUM

- Easy loading
- Biggest diameter on the market for such equipment



516 mm door diameter

373 mm loading diameter

3. MAIN FEATURES

3.6. – OUTER CASING

Panels in grey skinplate, stainless steel look.

ADVANTAGES

- Elegant look
- Stamped front and sides panels
- Easy to clean
- No fingerprints



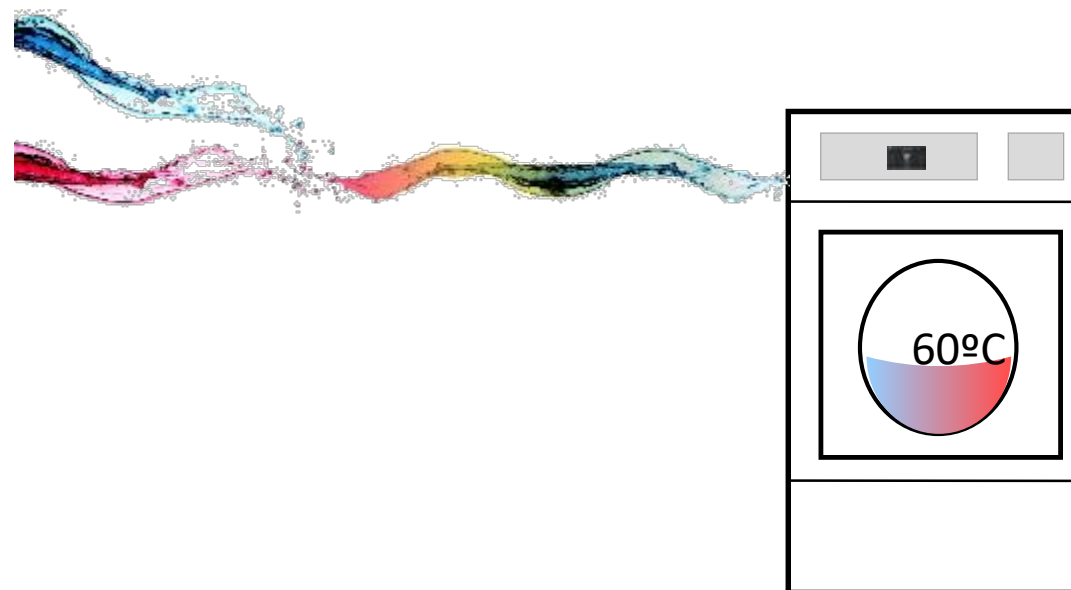
3. MAIN FEATURES

3.7. – AUTOMATIC WATER MIXER (MIXING WATER TEMPERATURES)

Precise mixing different water temperatures, thanks to the accurate temperature sensor on the drum. 2 water inlets.

ADVANTAGES

- ✓ Energy savings
- ✓ Reduced washing time.



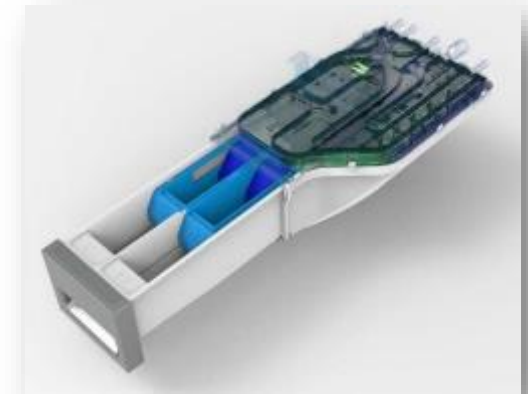
3. MAIN FEATURES

3.8. – SOAP DOSING SYSTEM

- New water ducts as well as easy detergent connection. Complies with WRAS certification.
- Detergent dispenser drawer with 4 sections.
- Rear connections for automatic liquid dosing. Up to 8 dosing signals (6 extra dosing signals option)

ADVANTAGES

- ✓ Accurate dosing (time and delay)
- ✓ Up to 14 dosing signals



3. MAIN FEATURES

3.9. – WET CLEANING

All washers are equipped with the necessary features to use WET CLEANING programs.

- Fully programmable control,
- Accurate control of temperatures and water levels,
- Washing speed adjustable to very low value (13 RPM)
- Rhythm on/off of 3 sec/40 sec
- Total control of dosing signals.



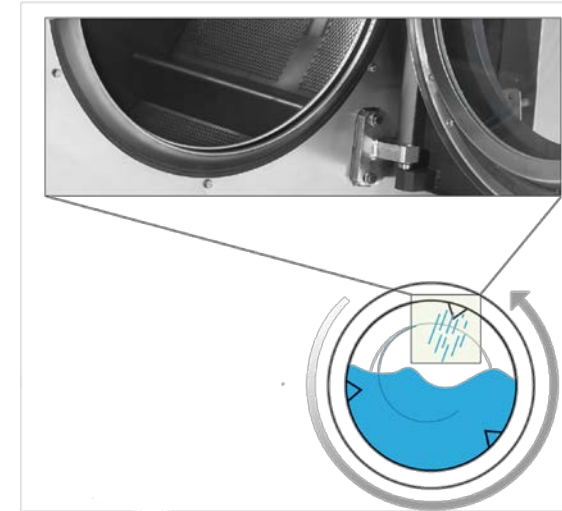
3. MAIN FEATURES

3.10A. – SMALL PERFORATIONS IN THE RIBS OF THE DRUM

Water has a cascade effect on the load

ADVANTAGES

- ✓ Maximizes the washing quality with the shortest cycle time possible,
- ✓ Increases considerably the mechanical action inside the drum
- ✓ Reduces the need of water.

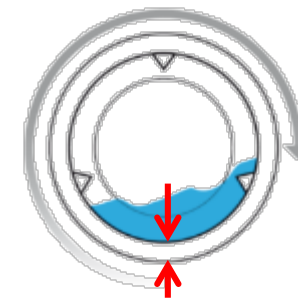


3.10B.- DRUM AND TUB'S EFFICIENT DESIGN

A narrow gap between them avoids the overuse of chemicals and water

ADVANTAGES

- ✓ Reduces the energetic consumption to heat up the water
- ✓ Avoids an overuse of detergents
- ✓ Low water consumption: 9 l/kg with standard program (prewash + wash + 3 rinses)



3. MAIN FEATURES

3.11. – IMBALANCE SYSTEM

Thanks to an advanced technological development and by means of the inverter, the washers detect the imbalance at an early stage.

ADVANTAGES

- ✓ Operation is smoother, making components long lasting,
- ✓ Reduced washing time,
- ✓ Energy savings.



3. MAIN FEATURES

3.12.-TRACEABILITY

All washing processes (temperatures, water levels) **are stored** in the washer and can be downloaded from USB port.

ADVANTAGES

- ✓ Maintains customer trust and confidence
- ✓ Data for liability claim protection
- ✓ Data integrity
- ✓ Responds quickly in case of malfunction



3. MAIN FEATURES

3.13.- TECHNICAL MENU

Complete technical menus:

- Failure self-diagnosis system (auto-test)
- Alarms
- Information saving (cycles, time working, spinning, alarms, etc....)
- Restricted access area



3.14.- VOLTAGE

- Voltage 400V three phased
- Models 230V single phase
- 110V single phase models available
- All washers are 50/60 Hz

3. MAIN FEATURES

3.15.- STACKABLE WASHER AND DRYER

Easily stackable washer and dryer for OPL and COIN. Also two stackable dryers.



DPR-8 ET2

WPR-8 ET2



DPR-8 ET2 SELF

WPR-8 ET2 SELF

3. MAIN FEATURES

3.16. – SAFETY LATCH ON DOOR

ADVANTAGES

- Safe and robust door lock design
- Easy to close and open



3.17. – CERTIFICATES

- CE approved
- ETL certificate (USA and Canada)
- WRAS approval (UK)
- EAC (Russia)



4. ACCESSORIES AND OPTIONS

OPTIONS

4.1- Double drain kit (valve models)

- ✓ Allow the recovery of water, with important savings

4.2- Drain pump kit

- ✓ Helps to drain water when drainage is located above floor level

4.3- “NC” Normally closed Drain

- ✓ In case of any electric failure water will be held inside the drum

4.4- Ship Voltage (440-480/III/50-60 Hz / no neutral)

- ✓ Most of washer models ready to install on a vessel or oil rigs

4.5- 6 extra signals kit for liquid dosing

- ✓ Up to 14 dosing signal

4.6- Silicone gasket on door

- ✓ Ideal for greasy spots, not compatible with standard door gasket

4. ACCESSORIES AND OPTIONS

OPTIONS

4.7- Reversible door

- ✓ Allow to adjust the opening sense of the door as required

4.8- Automatic unlock device

- ✓ Allow to open washer door in case of electric failure

4.9- Stainless steel AISI-304 body



4. ACCESSORIES AND OPTIONS

OPTIONS

4.10- Connectivity ready **as standard**

- ✓ **Optional WIFI module.** Wireless communication with washer for management (input / output data)



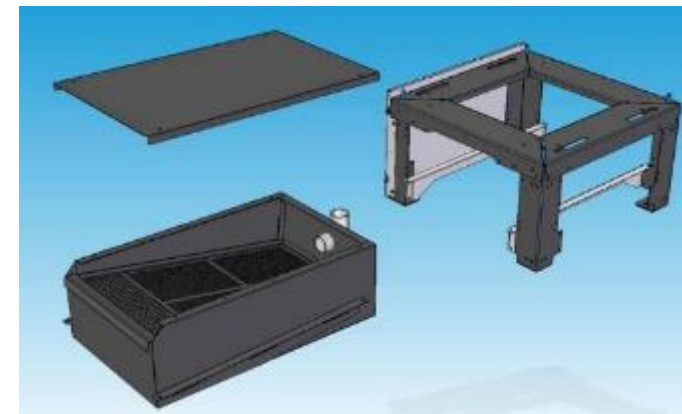
 **DANUBE**
online



4. ACCESSORIES AND OPTIONS

Model for washing mops (only models equipped with drain valve)

- Special washing programs for mops
- Plinth-base for filtering after drainage

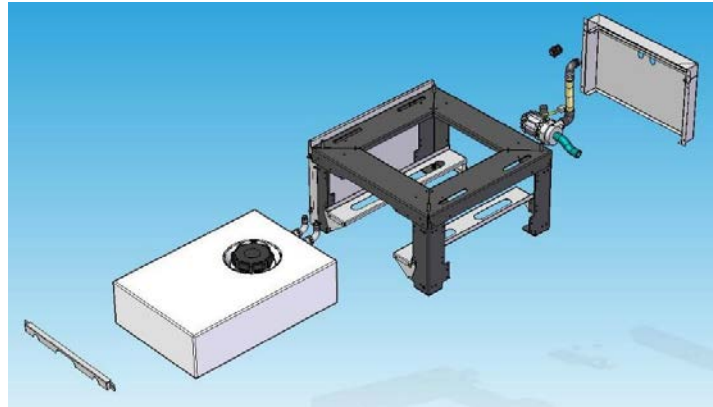


4. ACCESSORIES AND OPTIONS

Plinth-base for water recovery

ADVANTAGES

- ✓ Energy and water savings



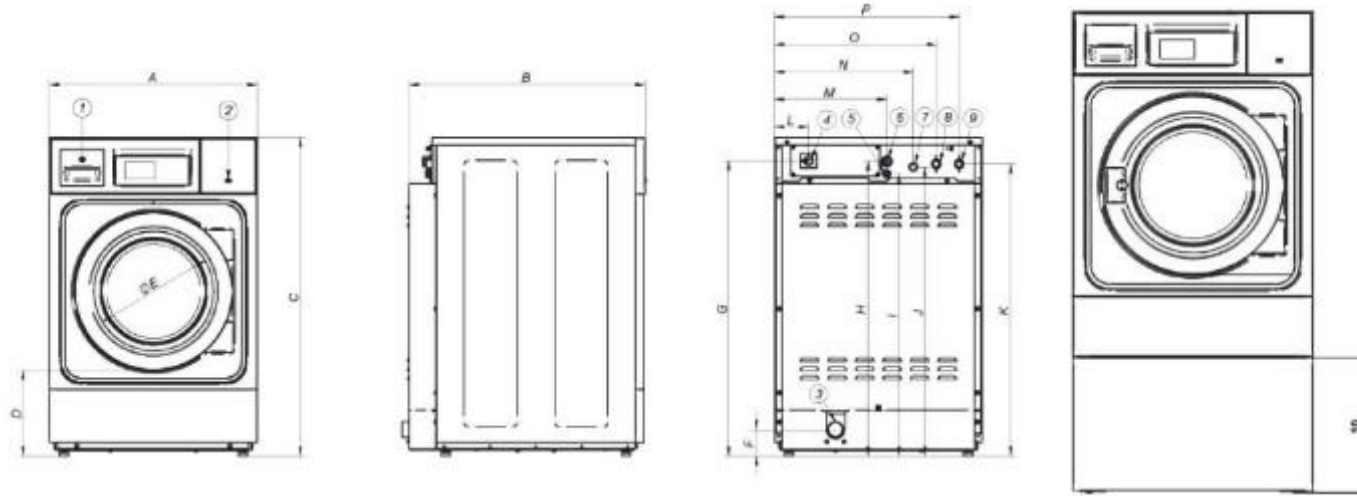
Plinth-base for ergonomics

ADVANTAGES

- ✓ Make easier the loading and unloading



| TECHNICAL DATA | UNIT. | WPR8 V | WPR8 P | WPR10 V | WPR10 P |
|--|---------|-------------|-------------|-------------|-------------|
| DRUM | | | | | |
| Load capacity 1:9 / 1:10 | Kg | 9/8 | 9/8 | 11/10 | 11/10 |
| Volume | l | 80 | 80 | 100 | 100 |
| Diameter | mm | 532 | 532 | 532 | 532 |
| Depth | mm | 360 | 360 | 425 | 425 |
| GENERAL DETAILS | | | | | |
| Washing speed / Spining speed | r.p.m. | 50/ 1.250 | 50/ 1.250 | 50/ 1.250 | 50/ 1.250 |
| G Factor | - | 450 | 450 | 450 | 450 |
| Self-service version | - | Yes | Yes | Yes | Yes |
| Double drain | - | Opt | No | Opt | No |
| Weighing system / tilting system | - | No | No | No | No |
| DOOR | | | | | |
| Height center door / Height base door | mm | 537/280 | 537/280 | 537/280 | 537/280 |
| Loading diameter | mm | 373 | 373 | 373 | 373 |
| DYNAMIC FORCE | | | | | |
| Static Load | KN | 0,14 | 0,14 | 0,15 | 0,15 |
| Maximum Dynamic load | KN | 0,5 | 0,5 | 0,6 | 0,6 |
| Vertical maximum load | KN | 0,64 | 0,64 | 0,75 | 0,75 |
| Max revolutions | r.p.m. | 1.250 | 1.250 | 1.250 | 1.250 |
| Frequency of dynamic load | - | 18,33 | 18,33 | 18,33 | 18,33 |
| POWER | | | | | |
| Motor | kW | 0,75 | 0,75 | 0,75 | 0,75 |
| Electric heating | kW | 6 | 6 | 6 | 6 |
| Hot water heating | kW | 0 | 0 | 0 | 0 |
| Max. power electric model | kW | 6,25 | 6,25 | 6,25 | 6,25 |
| Max. power HW model | kW | 0,75 | 0,75 | 0,75 | 0,75 |
| Max. power steam | kW | N/A | N/A | N/A | N/A |
| CONNECTIONS | | | | | |
| Water inlet | inch | 3/4" | 3/4" | 3/4" | 3/4" |
| Drain | mm/inch | 2" | 1" (Pump) | 2" | 1" (Pump) |
| DIMENSIONS / PACKING DIMENSIONS | | | | | |
| Width / width | mm | 680/710 | 680/710 | 680/710 | 680/710 |
| Depth / depth | mm | 698/832 | 698/832 | 742/832 | 742/832 |
| Height / height | mm | 1.040/1.130 | 1.040/1.130 | 1.040/1.130 | 1.040/1.130 |
| Net weight / Gross weight | kg | 140/150 | 140/150 | 150/160 | 150/160 |



- 01. Soap dispenser
- 02. Usb port
- 03. Drain
- 04. Main switch
- 05. Electric connection to liquid soap pumps
- 06. Electrical connection
- 07. Liquid soap inlet
- 08. Cold water inlet
- 09. Hot water inlet
- 10. Plinth height 389mm

| | A | B | C | D | E | F | G | H | I | J | K | L | M | N | O | P | Q |
|----------|-----|-----|------|-----|-----|----|-----|-----|-----|-----|-----|-----|-----|-----|-----|-----|-----|
| WPR-8 V | 680 | 698 | 1040 | 278 | 373 | 86 | 964 | 962 | 922 | 944 | 954 | 110 | 366 | 453 | 528 | 603 | 199 |
| WPR-8 P | 680 | 698 | 1040 | 278 | 373 | - | 964 | 962 | 922 | 944 | 954 | 110 | 366 | 453 | 528 | 603 | - |
| WPR10 V | 680 | 742 | 1040 | 278 | 373 | 86 | 964 | 962 | 922 | 944 | 954 | 110 | 366 | 453 | 528 | 603 | 199 |
| WPR-10 P | 680 | 742 | 1040 | 278 | 373 | - | 964 | 962 | 922 | 944 | 954 | 110 | 366 | 453 | 528 | 603 | - |

6. SALES ARGUMENTS



6. SALES ARGUMENTS

**FEATURES**

- ✓ User friendly and totally programmable **with EASY TOUCH 2**
- ✓ **8 dosing signals as standard**
- ✓ **USB Connection** . PC software free of charge for programing, traceability, data analyses....
- ✓ **Remote communication ready / Multi-payable systems**
- ✓ **Short Washing cycles** (Heating Power 6 kW)
- ✓ Advertisements shown on display (useful for coin laundry)
- ✓ **Optional**
 - WIFI connection
 - Silicone gasket
 - Delayed opening in case of electric power cut
 - “NC” Normally closed Drain
 - Ship Voltage ...



6. SALES ARGUMENTS

ROBUSTNESS



- ✓ **Robust door made in Aluminum**
- ✓ **Stainless Steel AISI-304 made inner drum**
- ✓ **Stainless Steel AISI-304 made outer drum**
- ✓ **Stainless Steel AISI-304 made ribs**
- ✓ **No inner drum seal.** Easy to repair, to clean, more industrial...
- ✓ **Industrial house bearing and bearings** (Up to 15 000 working hours)
- ✓ **Same motor** as industrial washer
- ✓ **Same Inverter** as industrial washer
- ✓ **Industrial door lock system**
- ✓ **Optional:**
 - **Stainless steel AISI-304 panels**

6. SALES ARGUMENTS

- ✓ **OPL ↔ COIN** . Standard model easily convertible
- ✓ **SINGLE ↔ STACKED** . Standard model easily stackable with a dryer
- ✓ **ELECTRIC → HOT WATER** . Standard electric model easily convertible to hot water model
- ✓ **DRAIN VALVE → PUMP**. Standard model easily convertible . Easy access and service
- ✓ **WET CLEANING** ready
- ✓ **Multitensions** 230V I, 230V III, 400V III and 50/60 Hz
- ✓ **Suitable for many sectors:**
 - Restaurants
 - Gyms
 - Camping
 - Mop Cleaning
 - Kinder Gardens
 - Cleaners shops...



6. SALES ARGUMENTS

- ✓ **Intelligent Weighing system**
- ✓ **Optimal loading**
- ✓ **Water Recovery tanks ready**
- ✓ **High G-FACTOR 450** . Reduced residual moisture, reduced drying time

EFFICIENCY



6.2.- COMPARISONS Vs. COMPETITORS

HOME APPLIANCE



ASKO



LG



ELECTROLUX



SPEED-QUEEN



ASKO



LG



ELECTROLUX



SPEED-QUEEN



GIRBAU



DANUBE



INDUSTRIAL WASHER



DANUBE WED

| ROBUSTNESS | | | | | | |
|-----------------|-----------------|-----------------|-----------------|-----------------|-----------------|-------------|
| MATERIALS | ASKO | LG | ELECTROLUX | SPEEDQUEEN | GIRBAU | DANUBE |
| External panels | Painted | Painted | Painted | Painted | Skinplate | Skinplate |
| Door | Plastic | Plastic | Plastic | Plastic | Iron | Aluminum |
| Door lock | Semi-ind | Semi-ind | Semi-ind | Semi-ind | Semi-ind | Industrial |
| Inner drum | Stainless steel | Stainless steel | Stainless steel | Stainless steel | AISI304 S/S | AISI304 S/S |
| Outer drum | Stainless steel | Stainless steel | Stainless steel | Stainless steel | AISI304 S/S | AISI304 S/S |
| Muffle | Yes, domestic | Yes, domestic | Yes, domestic | Yes, semi-ind | Yes, semi-ind | No |
| Ribs | Plastic | Plastic | Plastic | Plastic | Stainless steel | AISI304 S/S |
| Gear | Domestic | Domestic | Domestic | Semi-ind | Semi-ind | Industrial |
| Inverter | Domestic | Domestic | Domestic | Semi-ind | Semi-ind | Industrial |

6.2.- COMPARISONS Vs. COMPETITORS

HOME APPLIANCE



ASKO



LG



ELECTROLUX



SPEED-QUEEN



ASKO



LG



ELECTROLUX



SPEED-QUEEN



GIRBAU



DANUBE



INDUSTRIAL WASHER



DANUBE WED

| FEATURES | | | | | | |
|--------------------------|-----------------|-----------------|-----------------|-----------------|-----------------|-----------------|
| FEATURES | ASKO | LG | ELECTROLUX | SPEEDQUEEN | GIRBAU | DANUBE |
| Control type | Elec. Simple | Elec. Simple | Elec. Simple | Elec. Simple | Elec. Simple | Touch (4,3") |
| Programmable | No | No | No | No | No | Yes, standard |
| Dosing signals | Optional | Optional | No | Optional | Optional | Yes, standard |
| Nb dosing signals | 4 | | 0 | 4 | 4 | 8 (+6 opt.) |
| USB Port | No | No | No | No | No | Yes, standard |
| Soap box | Front – 3 comp. | Front – 3 comp. | Front – 3 comp. | Front – 4 comp. | Front – 4 comp. | Front - 4 comp. |
| Plinth option | Yes | Yes | Yes | Yes | Yes | Yes |
| S/S panels opt. | No | No | No | Yes | Yes | Yes |

6. SALES ARGUMENTS



DANUBE INTERNATIONAL

Parc d'Activités de Sologne - BP 19 - 41600 Lamotte-Beuvron - FRANCE

Tél.: +33 (0)2 54 88 05 76

Fax: +33 (0)2 54 96 89 04

Support technique: +33 (0)2 54 88 83 22 – support@danube.fr

SAV Pièces: +33 (0)2 54 88 83 65 – Parts@danube.fr

info@danube-international.com

www.danube-international.com - www.danube.fr